

# 38289-OP

## 3 Channel Chasing LED Driver

Mini LED Driver for sequential driving of LEDs or strips

**Voltage:** 3-15VDC (LED Dependant)

**Current:** 3A/Channel max

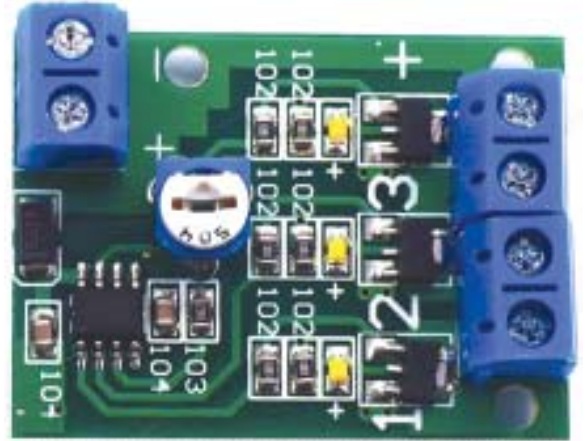
**Adjustable Speed:** ~3loops/sec min

**Sequential switching:** ch1-->ch2-->ch3-->ch1 etc.

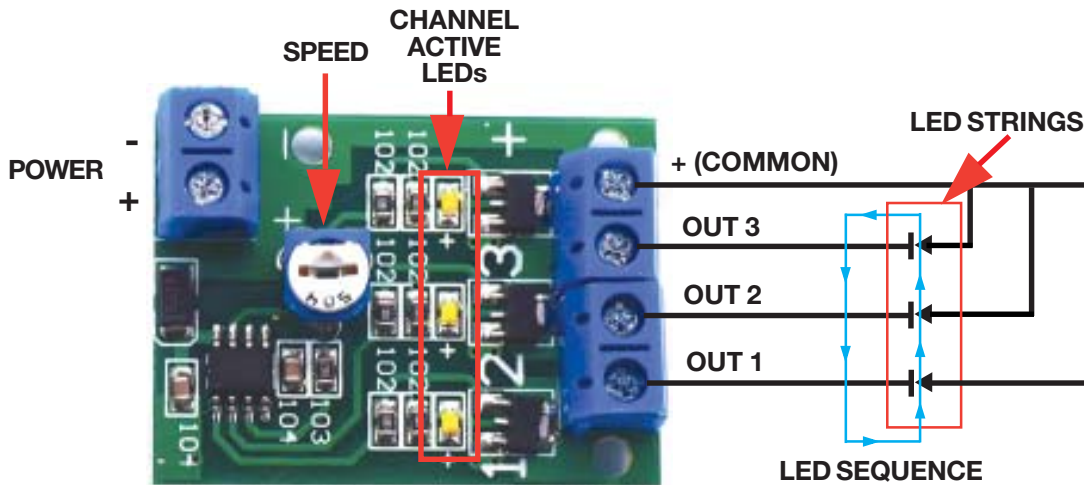
Strip Length: up to 10m when using LED strip (Type 1206LEDs 60LED/m) powered by 12VDC (>4A).

**L:** 40mm (~1-5/8") **W:** 30mm (1-1/8") **H:** 12mm (1/2")

**WT:** .02



| OUT<br>SEQ | 1   | 2   | 3   |
|------------|-----|-----|-----|
| ▼          | ON  | OFF | OFF |
| ▼          | OFF | ON  | OFF |
| ▼          | OFF | OFF | ON  |
| ▼          | ON  | OFF | OFF |



All Information including Drawings, Schematics etc, Referenced in this Document is supplied by MPJA inc. as a service to our customers. Accuracy or usefulness is not guaranteed nor is it an Endorsement of any particular part, supplier or manufacturer. Use of information and suitability for any application is at users own discretion and user assumes all risk.

Information Subject to Change Without Notice

All rights are retained by the respective Owners/Author(s)



**MARLIN P. JONES & ASSOC., INC.**

P.O. Box 530400 Lake Park, FL 33403

800-652-6733 FAX 561-844-8764

WWW.MPJA.COM